

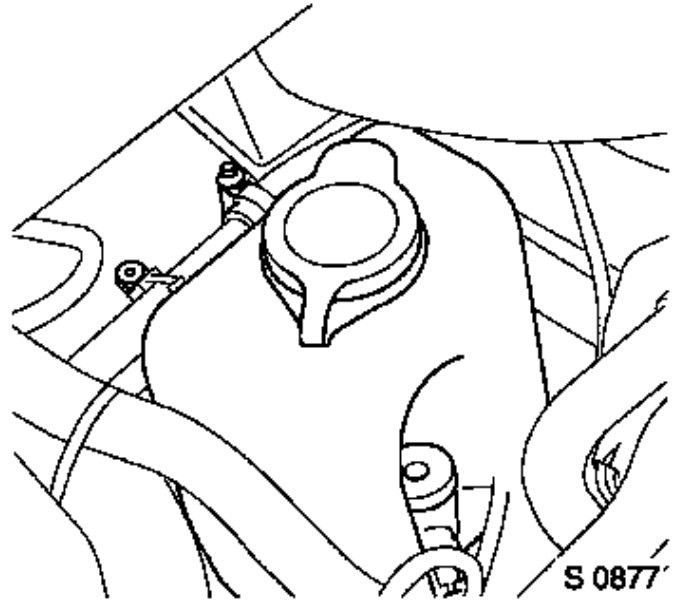
Airbag Contact Unit, Remove and Install

Open front bonnet.

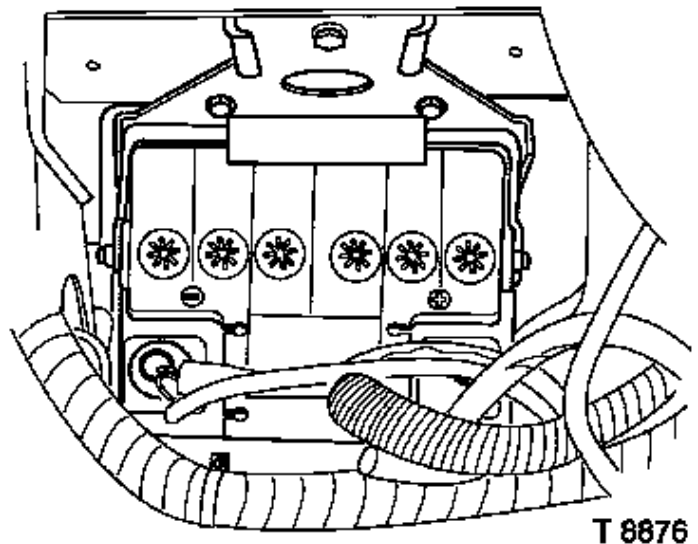


Remove

Screen wash reservoir – pull upwards, then move to one side.



Negative lead from battery.



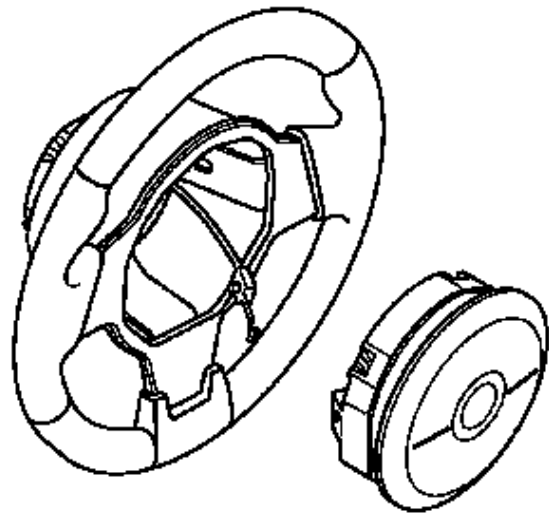
Caution !

Observe safety regulations during operations on the airbag.

**Remove**

Harness connector from airbag unit.

Airbag unit from steering wheel – two screws.

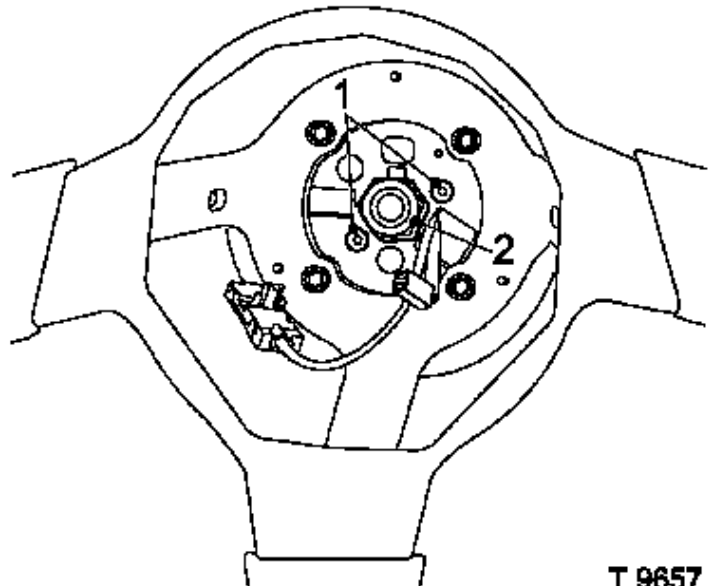
**T 9574****Caution !**

For removal of steering wheel, steering column must be in straight ahead position. In this position, remove ignition key and turn steering wheel to left or right until steering lock engages.

**Remove**

Airbag contact unit from steering wheel assembly – screws (1).

Steering wheel assembly from steering column – disconnect horn connector, release tab washer, then remove nut (2); use Puller **KM-210-B**.

**T 9657**

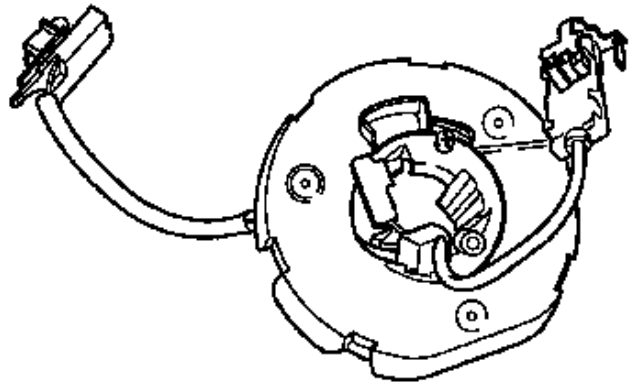
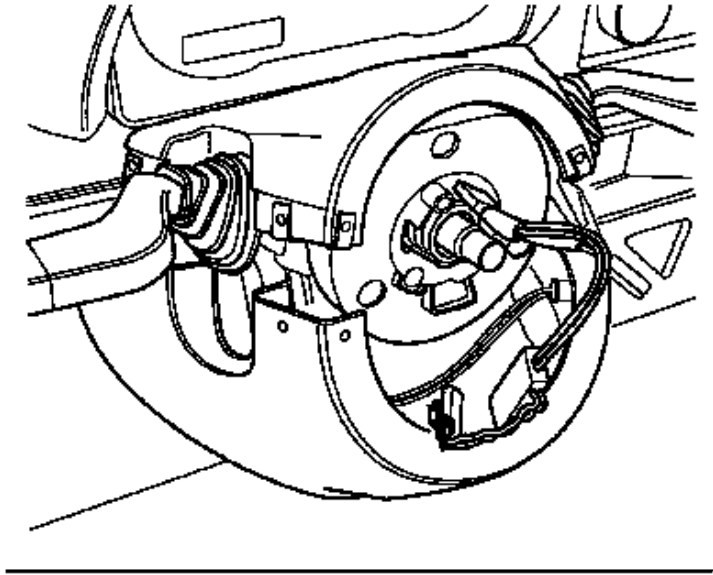
Upper and lower shrouds from steering column – 10 screws, harness connector from trip odometer.

Airbag contact unit from steering column – harness conductor, cable tie.

**Install**

Airbag contact unit to steering column – harness connector, cable tie.

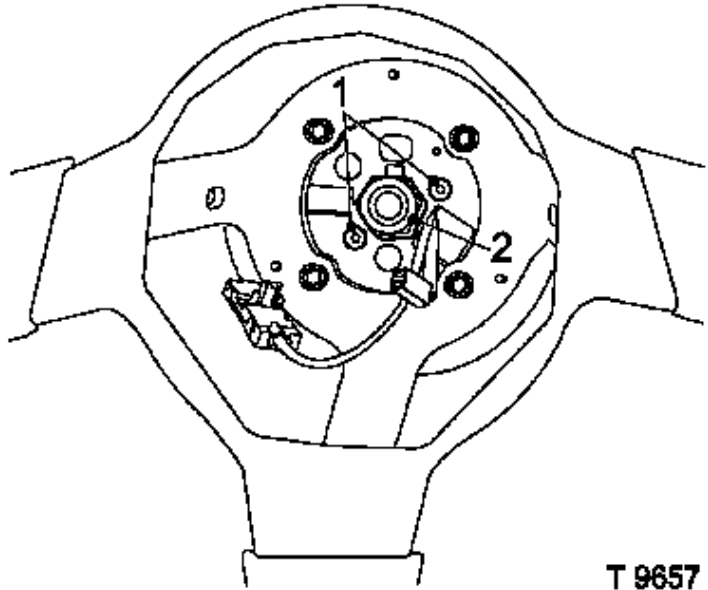
Upper and lower shrouds to steering column – harness connector to trip odometer, 10 screws.

**S 0920****Install**

Steering wheel assembly to steering column – tab washer, nut (2) **25 Nm**, lock tab washer, connect horn connector.

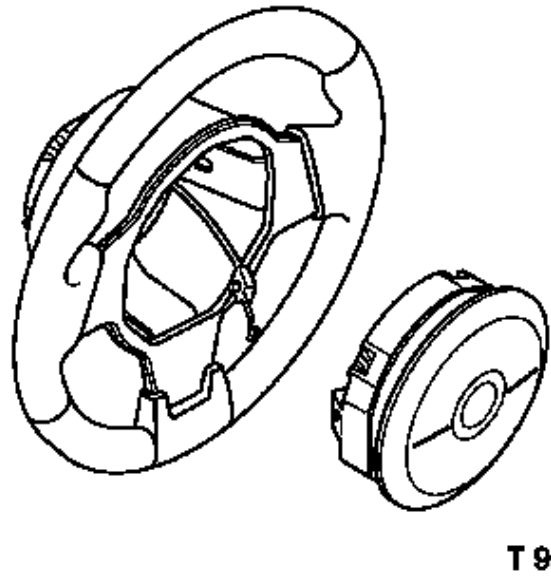
Airbag contact unit to steering wheel assembly – screws (1).

Important: If airbag contact unit is replaced ensure that locking screw is removed from new airbag contact unit.

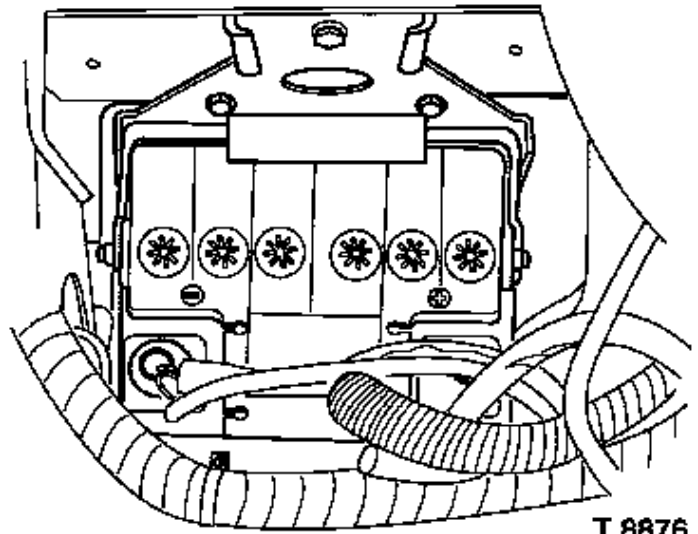


Airbag unit to steering wheel – two screws.

Harness connector to airbag unit.



Negative lead to battery – nut.



Screen wash reservoir.

Close bonnet.

Reprogram all volatile memories.

